

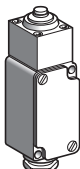
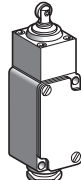
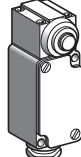
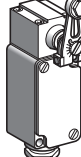
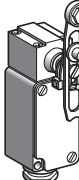
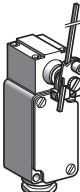
Limit switches

XC Special range

For very severe applications, XC2J

Complete switches, fixed body,

1 cable entry incorporating cable gland

Type of head	Plunger			Rotary		
						
Type of operator	Metal end plunger	Steel roller plunger	Metal side plunger	Thermoplastic roller lever (1)	Variable length thermoplastic roller lever (1)	Steel rod lever ∅ 3 mm (1)

(1) Adjustable throughout 360°.

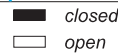
References

Single-pole CO
snap action XCKZ01



	ZC2JC1 + ZC2JE61	ZC2JC1 + ZC2JE62	ZC2JC1 + ZC2JE63	Actuation from left AND right		
				Actuation from left OR right		
Weight (kg)	0.555	0.560	0.600	0.605	0.620	0.605

Contact operation



(A) = cam displacement

Complementary characteristics not shown under general characteristics (page 25)

Switch actuation	On end	By 30° cam	On end	By 30° cam	By any moving part
Type of actuation					
Maximum actuation speed	0.5 m/s			1.5 m/s	
Mechanical durability (in millions of operating cycles)	30	25	30		
Minimum tripping force or torque	18 N		26 N	With head ZC2JE01: 0.30 N.m With head ZC2JE05: 0.20 N.m	
Cable entry	1 tapped entry incorporating metal cable gland. Clamping capacity 6 to 13.5 mm				

Other versions

Switches with gold flashed contacts. Special protective treatments. Please consult our Customer Care Centre.

Limit switches

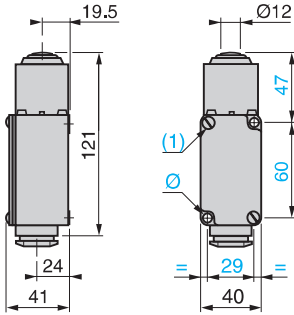
XC Special range

For very severe applications, XC2J

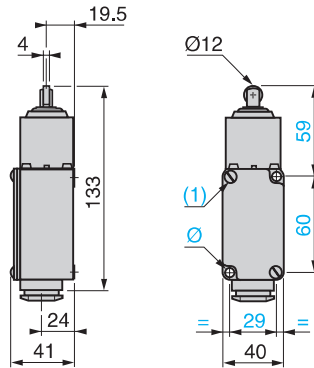
Complete switches, fixed body,

1 cable entry incorporating cable gland

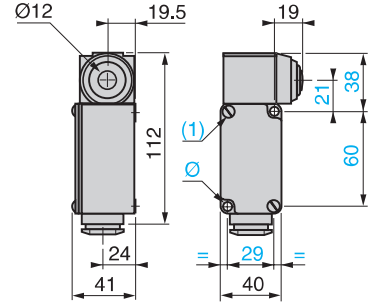
ZC2JC1 + ZC2JE61



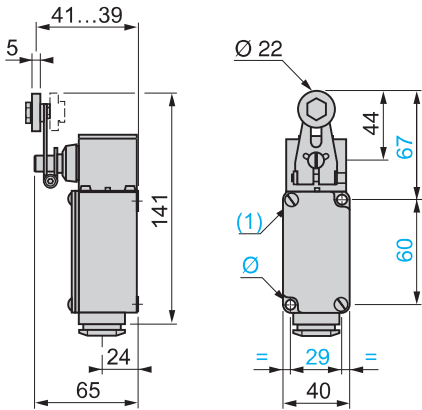
ZC2JC1 + ZC2JE62



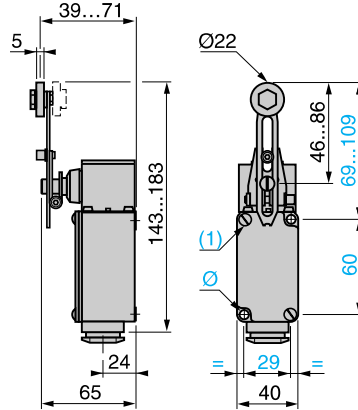
ZC2JC1 + ZC2JE63



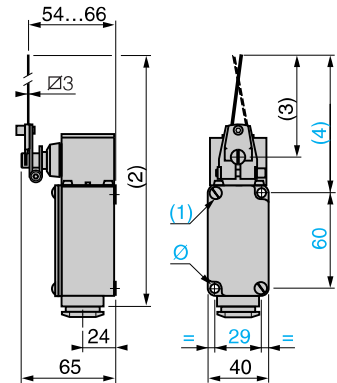
ZC2JC1 + ZC2JE0● + ZC2JY11



ZC2JC1 + ZC2JE0● + ZC2JY31



ZC2JC1 + ZC2JE0● + ZC2JY51



(1) Fixing from the rear: by 2 M5 screws.
Depth of thread on switch: 10 mm.

(2) 222 max.

(3) 125 max.

(4) 148 max.

Ø: Fixing from the front via 2 holes Ø 5.5.

Cable gland incorporated (all XC2JC models).

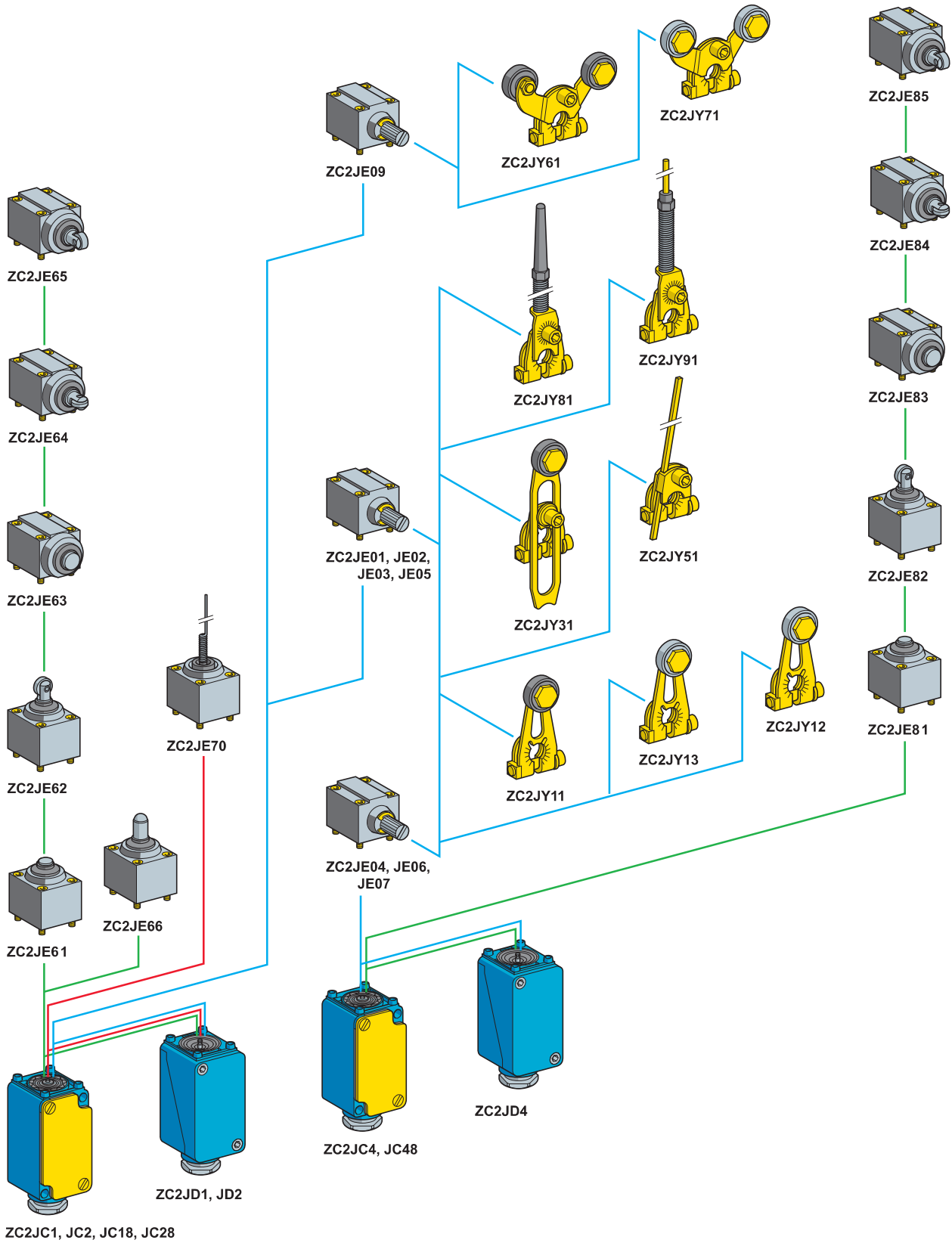
Limit switches

XC Special range

For very severe applications, XC2J

Fixed or plug-in body

Variable composition



- Plunger head
- Rotary head
- Multi-directional head

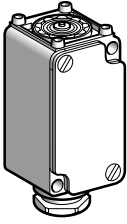
Limit switches

XC Special range

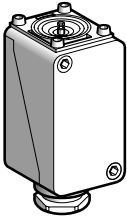
For very severe applications, XC2J

Fixed or plug-in body

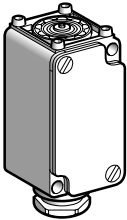
Adaptable sub-assemblies



ZC2JC●



ZC2JD●



ZC2JC●8

Bodies with contacts for plunger or rotary head

Type	With contact block	Scheme	Reference	Weight kg
Fixed bodies (see operation page 34)				
1 step	Single-pole 1 CO snap action (XCKZ01)		ZC2JC1	0.355
	Double-pole 2 CO simultaneous, snap action (XESP1021)		ZC2JC2	0.355
2 step	Double-pole 2 CO staggered, snap action (XESP1031)		ZC2JC4	0.355

Plug-in bodies

Plug-in bodies (see operation page 34)				
1 step	Single-pole CO snap action		ZC2JD1	0.380
	Double-pole 2 CO simultaneous, snap action		ZC2JD2	0.380
2 step	Double-pole 2 CO staggered, snap action		ZC2JD4	0.380

Bodies incorporating gold flashed contacts, for plunger or rotary head

Type	With contact block	Scheme	Reference	Weight kg
Fixed bodies (see operation page 34)				
1 step	Single-pole 1 CO snap action (XCKZ018)		ZC2JC18	0.355
	Double-pole 2 CO simultaneous, snap action (XESP1028)		ZC2JC28	0.360
2 step	Double-pole 2 CO staggered, snap action (XESP1038)		ZC2JC48	0.360

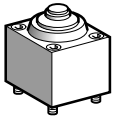
Limit switches

XC Special range

For very severe applications, XC2J

Fixed or plug-in body

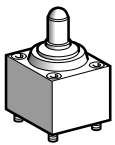
Adaptable sub-assemblies



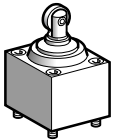
ZC2JE01



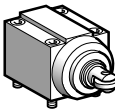
ZC2JE03



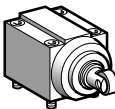
ZC2JE66



ZC2JE02



ZC2JE04



ZC2JE05

Plunger heads

Type of operator	Compatible bodies	Maximum actuation speed	Reference	Weight kg
For actuation on end				
End plunger metal	ZC2J01 ZC2J02	0.5 m/s	ZC2JE61	0.195
	ZC2J04	0.5 m/s	ZC2JE81	0.195
Side plunger metal	ZC2J01 ZC2J02	0.5 m/s	ZC2JE63	0.240
	ZC2J04	0.5 m/s	ZC2JE83	0.240
For actuation by 30° cam				
End ball bearing plunger	ZC2J01 ZC2J02	0.1 m/s	ZC2JE66	0.205
End roller plunger steel	ZC2J01 ZC2J02	1 m/s	ZC2JE62	0.200
	ZC2J04	1 m/s	ZC2JE82	0.200
Side plunger with horizontal roller steel	ZC2J01 ZC2J02	0.6 m/s	ZC2JE64	0.245
	ZC2J04	0.6 m/s	ZC2JE84	0.245
Side plunger with vertical roller steel	ZC2J01 ZC2J02	0.6 m/s	ZC2JE65	0.245
	ZC2J04	0.6 m/s	ZC2JE85	0.245

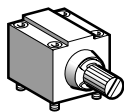
Limit switches

XC Special range

For very severe applications, XC2J

Fixed or plug-in body

Adaptable sub-assemblies



ZC2JE01

Rotary heads (without operating lever)

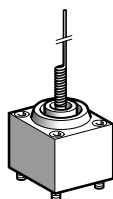
Type	Compatible bodies	Maximum actuation speed	Reference	Weight kg
Spring return (see operation page 34)				
Actuation from left AND right	ZC2J●1	1.5 m/s	ZC2JE01	0.210
	ZC2J●2			
	ZC2J●4	1.5 m/s	ZC2JE04	0.210
Actuation from left	ZC2J●1	1.5 m/s	ZC2JE02	0.210
	ZC2J●2			
	ZC2J●4	1.5 m/s	ZC2JE06	0.210
Actuation from right	ZC2J●1	1.5 m/s	ZC2JE03	0.210
	ZC2J●2			
	ZC2J●4	1.5 m/s	ZC2JE07	0.210
Actuation from left OR right (see page 22)	ZC2J●1	1.5 m/s	ZC2JE05	0.210
	ZC2J●2			

Stay put (see page 22)

Actuation from left AND right	ZC2J●1 ZC2J●2	1.5 m/s	ZC2JE09	0.210
-------------------------------	------------------	---------	---------	-------

Multi-directional head (with operator)

Type of operator	Compatible bodies	Maximum actuation speed	Reference	Weight kg
For actuation by any moving part (see operation page 34)				
“Cat’s whisker”	ZC2J●1 ZC2J●2	1 m/s in any direction	ZC2JE70	0.190



ZC2JE70

Limit switches

XC Special range

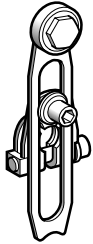
For very severe applications, XC2J

Fixed or plug-in body

Adaptable sub-assemblies



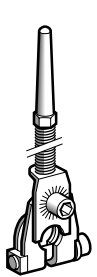
ZC2JY1



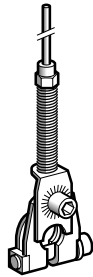
ZC2JY31



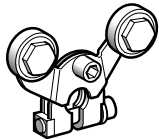
ZC2JY51



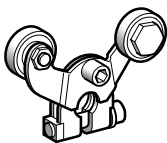
ZC2JY81



ZC2JY91



ZC2JY71



ZC2JY61

Operating levers for rotary heads

Description		Reference	Weight kg
For actuation by 30° cam			
Roller lever (1)	Thermoplastic	ZC2JY11	0.030
	Steel	ZC2JY13	0.040
	Steel, ball bearing mounted	ZC2JY12	0.040
Variable length roller lever (1)	Thermoplastic	ZC2JY31	0.045

For actuation by any moving part

Rigid rod lever	Steel \varnothing 3 mm, L = 125 mm (1)	ZC2JY51	0.035
Spring lever (1)		ZC2JY81	0.040
Spring-rod lever (1)		ZC2JY91	0.040

For actuation by specific cam (only for operation with head ZC2 JE09, see page 22)

Forked arm with rollers thermoplastic (1)	1 track	ZC2JY71	0.055
	2 track	ZC2JY61	0.055

(1) Adjustable throughout 360°

Other versions

Other operating levers for rotary heads.
Please consult our Customer Care Centre.

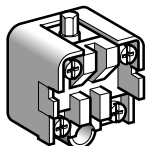
Limit switches

XC Special range

For very severe applications, XC2J

Fixed or plug-in body

Adaptable sub-assemblies



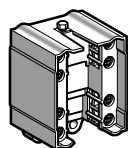
XCKZ01

Contact blocks

Type of contact	Scheme	For body	Reference	Weight kg
Single-pole 1 CO snap action		ZC2JC1	XCKZ01	0.050

Double-pole 2 CO simultaneous, snap action		ZC2JC2	XESP1021	0.045
---	--	--------	-----------------	-------

Double-pole 2 CO staggered, snap action		ZC2JC4	XESP1031	0.045
--	--	--------	-----------------	-------



XESP10●1

Contact blocks with gold flashed contacts

Type of contact	Scheme	For body	Reference	Weight kg
Single-pole 1 CO snap action		ZC2JC18	XCKZ018	0.050

Double-pole 2 CO simultaneous, snap action		ZC2JC28	XESP1028	0.055
---	--	---------	-----------------	-------

Double-pole 2 CO staggered, snap action		ZC2JC48	XESP1038	0.055
--	--	---------	-----------------	-------

Limit switches

XC Special range

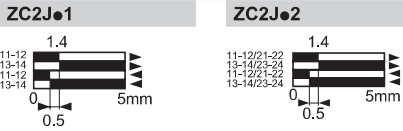
For very severe applications, XC2J

Fixed or plug-in body

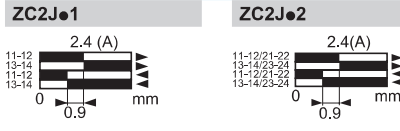
Adaptable sub-assemblies

Operation (function diagrams)

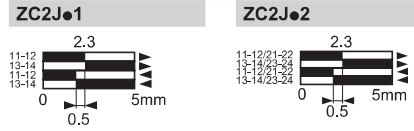
Heads ZC2JE61, ZC2JE66 with body



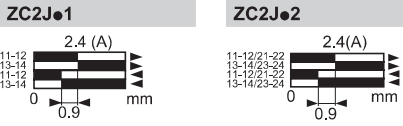
Head ZC2JE62 with body



Head ZC2JE63 with body



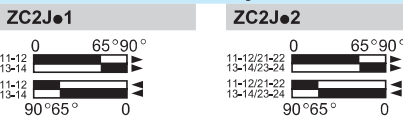
Heads ZC2JE64, ZC2JE65 with body



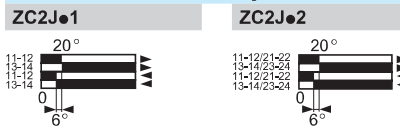
Heads ZC2JE01, ZC2JE02, ZC2JE03, ZC2JE05 with body



Head ZC2JE09 with body



Head ZC2JE70 with body



Contact operation

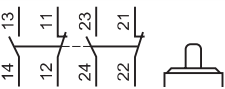
■ closed

□ open

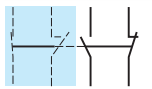
(A) = cam displacement

Heads ZC2JE81, ZC2JE82 with body ZC2J4

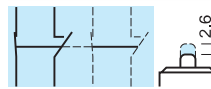
Unactuated



1st step

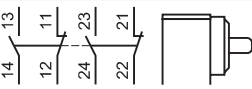


2nd step

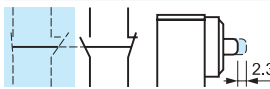


Heads ZC2JE83, ZC2JE84, ZC2JE85 with body ZC2J4

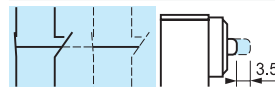
Unactuated



1st step

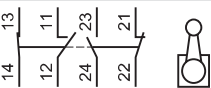


2nd step

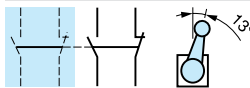


Heads ZC2JE04 with body ZC2J4

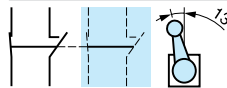
Unactuated



Actuated from left

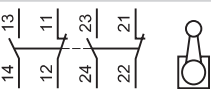


Actuated from right

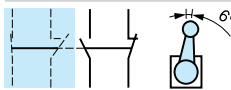


Heads ZC2JE06, ZC2JE07 with body ZC2J4

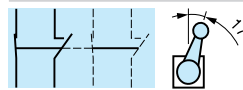
Unactuated



1st step



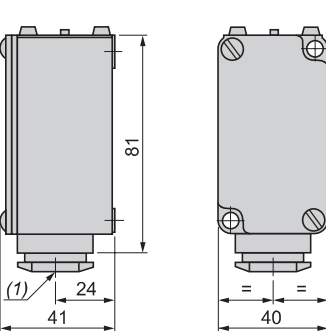
2nd step



Dimensions

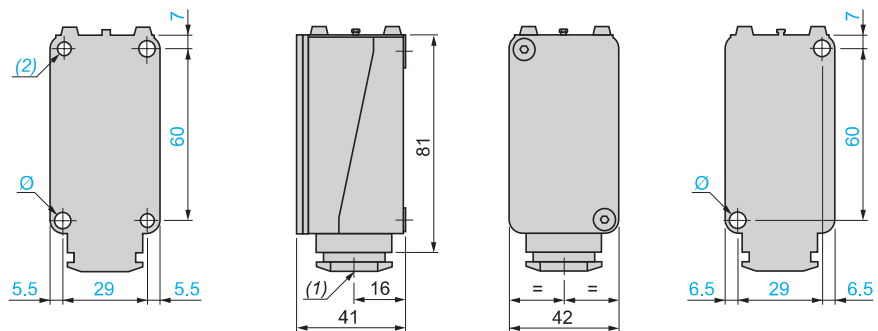
Fixed bodies

ZC2JC1, ZC2JC2, ZC2JC4



Plug-in bodies

ZC2JD1, ZC2JD2, ZC2JD4



(1) Incorporated cable gland

(2) Fixing from the rear by 2 M5 screws, depth of thread on switch: 10 mm

Ø: Fixing from the front via 2 holes Ø 5.5

(1) Incorporated cable gland

Ø: Fixing from the rear by 2 M6 screws

Fixing from the front via 2 holes Ø 5.5 (remove front part of switch for access)

Limit switches

XC Special range

For very severe applications, XC2J

Fixed or plug-in body

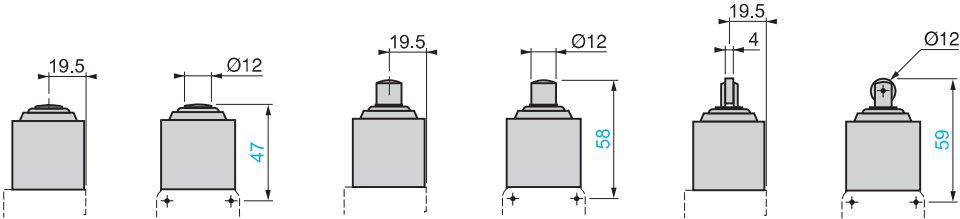
Adaptable sub-assemblies

Plunger heads

ZC2JE61, ZC2JE81

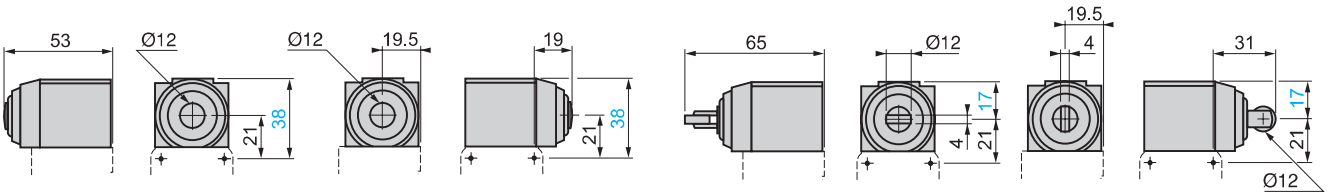
ZC2JE66

ZC2JE62, ZC2JE82



ZC2JE63, ZC2JE83 (2 position)

ZC2JE64, ZC2JE84, ZC2JE65, ZC2JE85 (2 position)

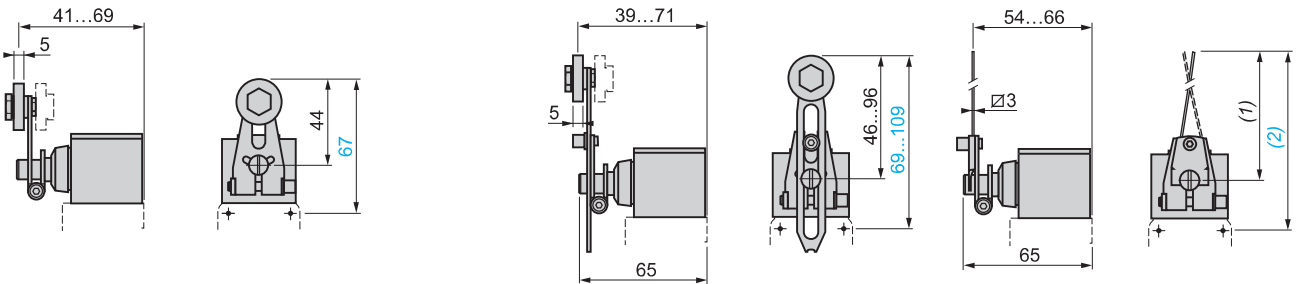


Rotary heads (ZC2JE01 to ZC2JE07) with operating lever

ZC2JY11, ZC2JY12, ZC2JY13

ZC2JY31

ZC2JY51

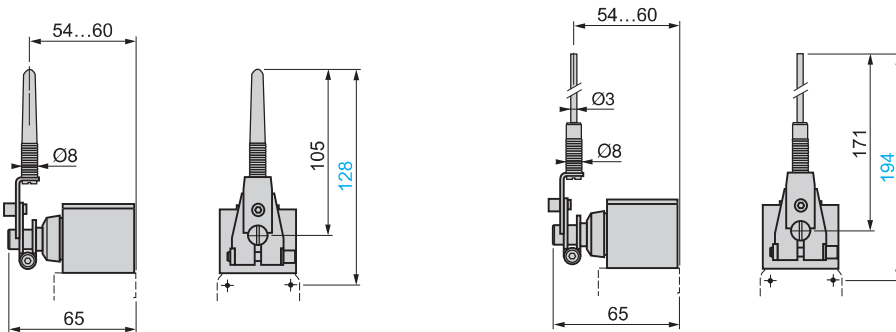


(1) 125 max.

(2) 148 max.

ZC2JY81

ZC2JY91



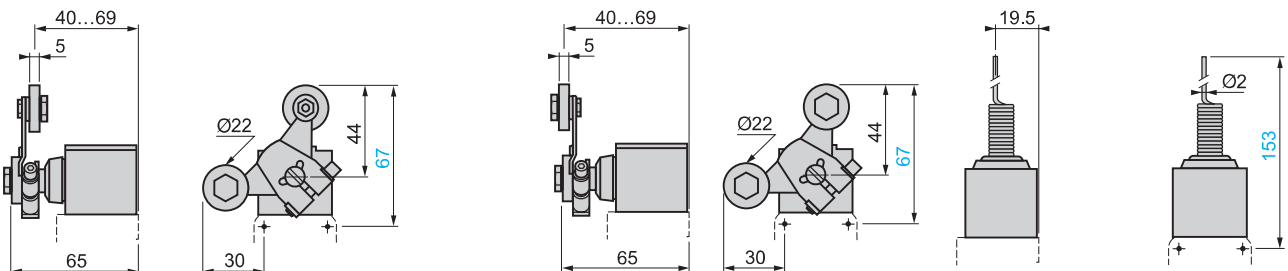
Rotary heads (ZC2JE09) with operating lever

ZC2JY61

ZC2JY71

Multi-directional heads

ZC2JE70

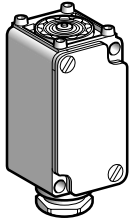


Limit switches

XC Special range

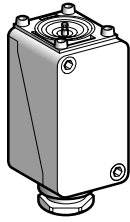
For very severe applications, XC2J

Fixed or plug-in body, adaptable sub-assemblies for low temperature applications (- 40°C)



ZC2JC●6

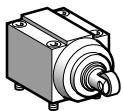
Bodies with contacts for plunger or rotary head				
Type	With contact block	Scheme	Reference	Weight kg
Fixed bodies				
1 step	Single-pole 1 CO snap action (XCK Z01)		ZC2JC16	0.355
	Double-pole 2 CO simultaneous, snap action (XES P1021)		ZC2JC26	0.355
2 step	Double-pole 2 CO staggered, snap action (XES P1031)		ZC2JC46	0.355



ZC2JD●6

Plug-in bodies				
1 step	Single-pole CO snap action		ZC2JD16	0.380
	Double-pole 2 CO simultaneous, snap action		ZC2JD26	0.380
2 step	Double-pole 2 CO staggered, snap action		ZC2JD46	0.380

Plunger heads				
Type of operator	Compatible bodies	Maximum actuation speed	Reference	Weight kg
For actuation on end				
End plunger metal	ZC2J●16	0.5 m/s	ZC2JE616	0.195
	ZC2J●26			
	ZC2J●46	0.5 m/s	ZC2JE816	0.195
Side plunger metal	ZC2J●16	0.5 m/s	ZC2JE636	0.240
	ZC2J●26			
	ZC2J●46	0.5 m/s	ZC2JE836	0.240
For actuation by 30° cam				
End ball bearing plunger	ZC2J●16	0.1 m/s	ZC2JE666	0.205
	ZC2J●26			
End roller plunger steel	ZC2J●16	1 m/s	ZC2JE626	0.200
	ZC2J●26			
	ZC2J●46	1 m/s	ZC2JE826	0.200
Side plunger with horizontal roller steel	ZC2J●16	0.6 m/s	ZC2JE646	0.245
	ZC2J●26			
	ZC2J●46	0.6 m/s	ZC2JE846	0.245
Side plunger with vertical roller steel	ZC2J●16	0.6 m/s	ZC2JE656	0.245
	ZC2J●26			
	ZC2J●46	0.6 m/s	ZC2JE856	0.245



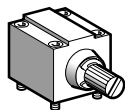
ZC2JE●56

Limit switches

XC Special range

For very severe applications, XC2J

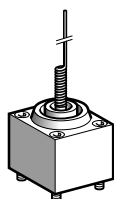
Fixed or plug-in body, adaptable sub-assemblies for low temperature applications (- 40°C)



ZC2JE0●6

Rotary heads (without operating lever)

Type	Compatible bodies	Maximum actuation speed	Reference	Weight kg
Spring return				
Actuation from left AND right	ZC2J●16 ZC2J●26	1.5 m/s	ZC2JE016	0.210
	ZC2J●46	1.5 m/s	ZC2JE046	0.210
Actuation from left	ZC2J●16 ZC2J●26	1.5 m/s	ZC2JE026	0.210
	ZC2J●46	1.5 m/s	ZC2JE066	0.210
Actuation from right	ZC2J●16 ZC2J●26	1.5 m/s	ZC2JE036	0.210
	ZC2J●46	1.5 m/s	ZC2JE076	0.210
Actuation from left OR right (see page 22)	ZC2J●16 ZC2J●26	1.5 m/s	ZC2JE056	0.210
Stay put (see page 22)				
Actuation from left AND right	ZC2J●16 ZC2J●26	1.5 m/s	ZC2JE096	0.210



ZC2JE706

Multi-directional head (with operator)

Type of operator	Compatible bodies	Maximum actuation speed	Reference	Weight kg
For actuation by any moving part				
"Cat's whisker"	ZC2J●16 ZC2J●26	1 m/s in any direction	ZC2JE706	0.190

Limit switches

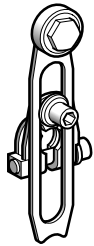
XC Special range

For very severe applications, XC2J

Fixed or plug-in body, adaptable sub-assemblies for low temperature applications (- 40°C)



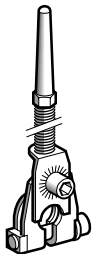
ZC2JY1



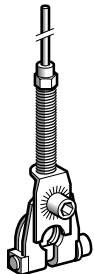
ZC2JY31



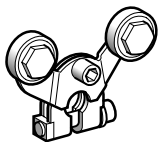
ZC2JY51



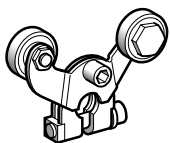
ZC2JY81



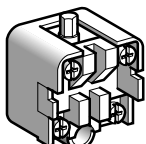
ZC2JY91



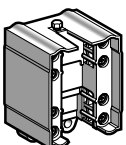
ZC2JY71



ZC2JY61



XCKZ01



XESP10

Operating levers for rotary heads

Description		Reference	Weight kg
For actuation by 30° cam			
Roller lever (1)	Thermoplastic	ZC2JY11	0.030
	Steel	ZC2JY13	0.040
	Steel, ball bearing mounted	ZC2JY12	0.040
Variable length roller lever (1)	Thermoplastic	ZC2JY31	0.045

For actuation by any moving part

Rigid rod lever	Steel \varnothing 3 mm, L = 125 mm (1)	ZC2JY51	0.035
Spring lever (1)		ZC2JY81	0.040
Spring-rod lever (1)		ZC2JY91	0.040

For actuation by specific cam (only for operation with head ZC2 JE096, see page 22)

Forked arm with rollers thermoplastic (1)	1 track	ZC2JY71	0.055
	2 track	ZC2JY61	0.055

Contact blocks

Type of contact	Scheme	For body	Reference	Weight kg
Single-pole 1 CO snap action		ZC2JC16	XCKZ01	0.050
Double-pole 2 CO simultaneous, snap action		ZC2JC26	XESP1021	0.045
Double-pole 2 CO staggered, snap action		ZC2JC46	XESP1031	0.045

(1) Adjustable throughout 360°

Other versions

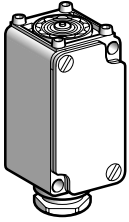
Other operating levers for rotary heads. Please consult our Customer Care Centre.

Limit switches

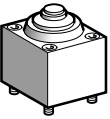
XC Special range

For very severe applications, XC2J

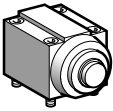
Fixed body, adaptable sub-assemblies for high temperature applications (+ 120°C)



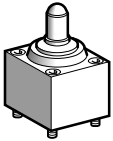
ZC2JC5



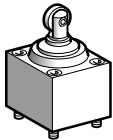
ZC2JE15



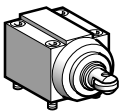
ZC2JE35



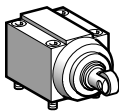
ZC2JE665



ZC2JE25



ZC2JE45



ZC2JE55

Bodies with contacts for plunger or rotary head

Type	With contact block	Scheme	Reference	Weight kg
Fixed bodies				
1 step	Single-pole 1 CO snap action (XCK Z015)		ZC2JC15	0.355
	Double-pole 2 CO simultaneous, snap action (XES P10215)		ZC2JC25	0.355
2 step	Double-pole 2 CO staggered, snap action (XES P10315)		ZC2JC45	0.355

Plunger heads

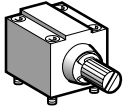
Type of operator	Compatible bodies	Maximum actuation speed	Reference	Weight kg
For actuation on end				
End plunger metal	ZC2JC15 ZC2JC25	0.5 m/s	ZC2JE615	0.195
	ZC2JC45	0.5 m/s	ZC2JE815	0.195
Side plunger metal	ZC2JC15 ZC2JC25	0.5 m/s	ZC2JE635	0.240
	ZC2JC45	0.5 m/s	ZC2JE835	0.240
For actuation by 30° cam				
End ball bearing plunger	ZC2JC15 ZC2JC25	0.1 m/s	ZC2JE665	0.205
End roller plunger steel	ZC2JC15 ZC2JC25	1 m/s	ZC2JE625	0.200
	ZC2JC45	1 m/s	ZC2JE825	0.200
Side plunger with horizontal roller steel	ZC2JC15 ZC2JC25	0.6 m/s	ZC2JE645	0.245
	ZC2JC45	0.6 m/s	ZC2JE845	0.245
Side plunger with vertical roller steel	ZC2JC15 ZC2JC25	0.6 m/s	ZC2JE655	0.245
	ZC2JC45	0.6 m/s	ZC2JE855	0.245

Limit switches

XC Special range

For very severe applications, XC2J

Fixed body, adaptable sub-assemblies for high temperature applications (+ 120°C)

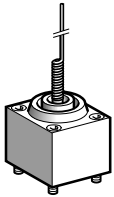


ZC2JE05

Rotary heads (without operating lever)				
Type	Compatible bodies	Maximum actuation speed	Reference	Weight kg
Spring return				
Actuation from left AND right	ZC2JC15 ZC2JC25	1.5 m/s	ZC2JE015	0.210
	ZC2JC45	1.5 m/s	ZC2JE045	0.210
Actuation from left	ZC2JC15 ZC2JC25	1.5 m/s	ZC2JE025	0.210
	ZC2JC45	1.5 m/s	ZC2JE065	0.210
Actuation from right	ZC2JC15 ZC2JC25	1.5 m/s	ZC2JE035	0.210
	ZC2JC45	1.5 m/s	ZC2JE075	0.210

Stay put (see page 22)

Actuation from left AND right	ZC2JC15 ZC2JC25	1.5 m/s	ZC2JE095	0.210
-------------------------------	--------------------	---------	----------	-------



ZC2JE705

Multi-directional head (with operator)

Type of operator	Compatible bodies	Maximum actuation speed	Reference	Weight kg
For actuation by any moving part				
"Cat's whisker"	ZC2JC15 ZC2JC25	1 m/s in any direction	ZC2JE705	0.190

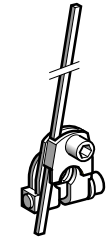
Limit switches

XC Special range

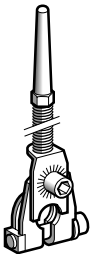
For very severe applications, XC2J
Fixed body, adaptable sub-assemblies for high temperature applications (+ 120°C)



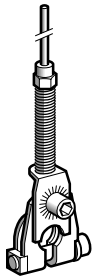
ZC2JY1



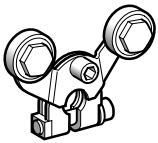
ZC2JY51



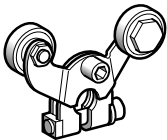
ZC2JY815



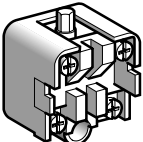
ZC2JY915



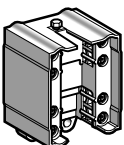
ZC2JY715



ZC2JY615



XCKZ015



XESP10

Operating levers for rotary heads

Description		Reference	Weight kg
For actuation by 30° cam			
Roller lever (1)	Thermoplastic	ZC2JY115	0.030
	Steel	ZC2JY13	0.040
	Steel, ball bearing mounted	ZC2JY12	0.040
Offset roller lever (1)	Thermoplastic	ZC2JY215	0.035
Variable length roller lever (1)	Thermoplastic	ZC2JY315	0.035
Variable length offset roller lever (1)	Thermoplastic	ZC2JY415	0.040
For actuation by any moving part			
Rigid rod lever	Steel \varnothing 3 mm, L = 125 mm (1)	ZC2JY51	0.035
Spring lever (1)		ZC2JY815	0.040
Spring-rod lever (1)		ZC2JY915	0.040

For actuation by specific cam (only for operation with head ZC2JE095, see page 22)

Forked arm with rollers thermoplastic (1)	1 track	ZC2JY715	0.055
	2 track	ZC2JY615	0.055

Contact blocks

Type of contact	Scheme	For body	Reference	Weight kg
Single-pole 1 CO snap action		ZC2JC15	XCKZ015	0.050
Double-pole 2 CO simultaneous, snap action		ZC2JC25	XESP10215	0.045
Double-pole 2 CO staggered, snap action		ZC2JC45	XESP10315	0.045

(1) Adjustable throughout 360°

Other versions Other operating levers for rotary heads. Please consult our Customer Care Centre.