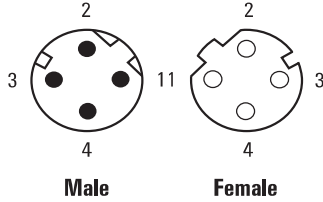


M12 crimp connection
D-coded



SAISC



Male

Female

Ordering data

Ethernet cables	
male	SAISC-D-RR-6,6-C5
female	SAIBC-D-RR-6,6-C5
male	SAISC-D-RR-7,3-C5
female	SAIBC-D-RR-7,3-C5
male	SAISC-D-RR-8,3-C5
female	SAIBC-D-RR-8,3-C5
PROFINET cables	
male	SAISC-D-PN-6,5-C5
female	SAIBC-D-PN-6,5-C5
Note	

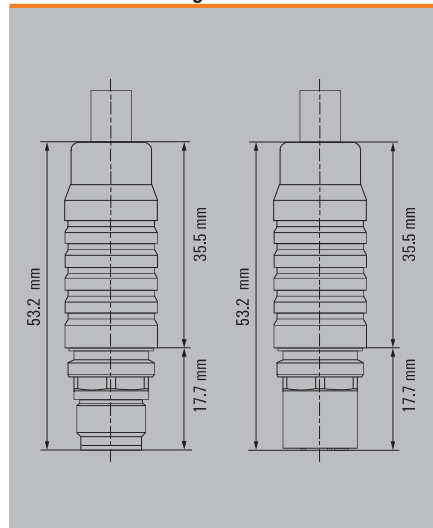
Technical data

Type of connection	Crimp connection
Threaded ring material	Brass, nickel-plated
Housing main material	CuZn
Connection thread	M12
Wire cross-section, min. / max.	0,34...0,5 mm ²
Rated current	4 A
Rated voltage	50 V
Temperature range of housing	-40 ... +85 °C
Protection degree	IP67
Contact surface	Gold-plated
Fire safety for railway vehicles	According to EN 45545, HL1 - HL3
Approvals	
Note	

Type	Qty.	Order No.
SAISC-D-RR-6,6-C5	1	1380560000
SAIBC-D-RR-6,6-C5	1	1380570000
SAISC-D-RR-7,3-C5	1	1380540000
SAIBC-D-RR-7,3-C5	1	1380550000
SAISC-D-RR-8,3-C5	1	1380580000
SAIBC-D-RR-8,3-C5	1	1380590000
SAISC-D-PN-6,5-C5	1	1380610000
SAIBC-D-PN-6,5-C5	1	1380620000

Female	Pin	Coding	Cable type	HUBER + SUHNER Order No.
1380550000	1380540000	D	Radox Railcat Databus CAT5 7,3 mm	12568935
1380570000	1380560000	D	Radox Railcat CAT5 4 x AWG22 XC 6,6 mm	12584038
1380590000	1380580000	D	Radox Railcat CAT5 4 x 0,5 mm ² XCS 8,3 mm	12585489
1380620000	1380610000	D	PROFINET 2 x 2 x AWG22 6,5 mm	
Note				

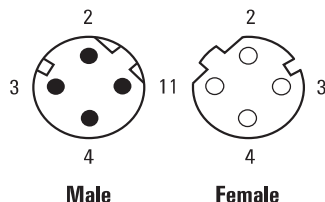
Dimensioned drawing



**M12 crimp connection
Panel feed-through
D-coded**



SAIBC



Ordering data

Ethernet cables	
	female
	female
	female
PROFINET cables	
	female

Note

Technical data

- Type of connection
- Threaded ring material
- Housing main material
- Connection thread
- Wire cross-section, min. / max.
- Rated current
- Rated voltage
- Temperature range of housing
- Protection degree
- Contact surface
- Fire safety for railway vehicles
- Approvals

Note

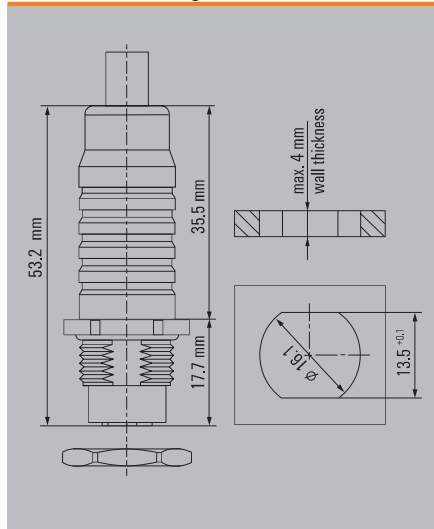
Type	Qty.	Order No.
SAIBC-WDF-D-RR-6,6-C5	1	1380640000
SAIBC-WDF-D-RR-7,3-C5	1	1380630000
SAIBC-WDF-D-RR-8,3-C5	1	1380650000
SAIBC-WDF-D-PIV-6,5-C5	1	1380670000

Crimp connection
Brass, nickel-plated
CuZn
M12
0.34...0.5 mm ²
4 A
50 V
-40 ... +85 ° C
IP67
Gold-plated
According to EN 45545, HL1 - HL3

Crimping tool: SAI-TMCSK - 1381690000; Locator: SAI-TMC-PD - 1381700000

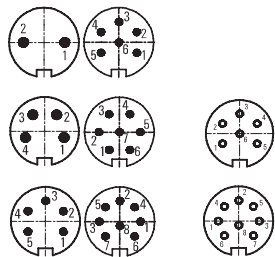
Female	Coding	Cable type	HUBER + SUHNER Order No.
1380630000	D	Radox Railcat Databus CAT5 7,3 mm	12568935
1380640000	D	Radox Railcat CAT5 4 x AWG22 XC 6.6 mm	12584038
1380650000	D	Radox Railcat CAT5 4 x 0.5 mm ² XCS 8.3 mm	12585489
1380670000	D	PROFINET 2 x 2 x AWG22 6.5 mm ± 0.2 mm	

Dimensioned drawing



Customisable connectors

M16 solder connection



Male

Female

SAIS

Male



SAIB

Female



Ordering data

Type	Qty.	Order No.
2-pole, PG 9	1	1321700000
4-pole, PG 9	1	1117970000
5-pole, PG 9	1	1117990000
6-pole, PG 9	1	1304390000
7-pole, PG 9	1	1118010000
8-pole, PG 9	1	1304430000
12-pole, PG 9	1	1548810000
16-pole, PG 9	1	1548820000

Note

Technical data

Type of connection	Solder connection
Threaded ring material	Diecast zinc
Housing main material	PA
Connection thread	M16
Cable diameter	6...8 mm (PG9)
Connection cross-section	0,14...0,75mm ² (2-, 4-, 5-, 6-, 7- und 8-poles) / 0,14...0,25mm ² (12- und 16-poles)
Rated current	7 A (2-pole) / 6 A (4- and 5-pole) / 5 A (6-, 7- and 8-pole) / 3 A (12- and 16-pole)
Rated voltage	250 V (2-, 4-, 5- and 6-pole) / 125 V (7-pole) / 60 V (8- and 12-pole / 30 V (16-pole)
Temperature range of housing	-40 ... +85 °C
Protection degree	IP40
Contact surface	Ag (silver)
Approvals	CE

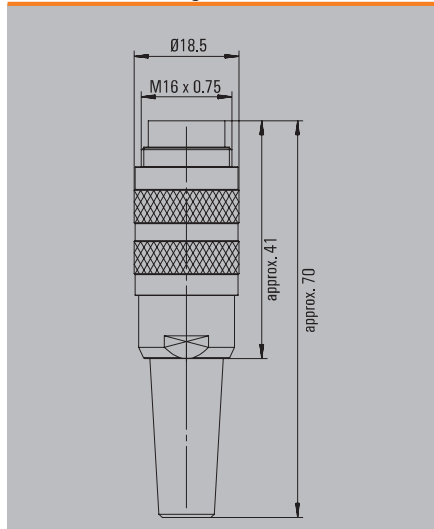
Note

Type	Qty.	Order No.
SAIS-M16-2/9	1	1321700000
SAIS-M16-4/9	1	1117970000
SAIS-M16-5/9	1	1117990000
SAIS-M16-6/9	1	1304390000
SAIS-M16-7/9	1	1118010000
SAIS-M16-8/9	1	1304430000
SAIS-M16-12/9	1	1548810000
SAIS-M16-16/9	1	1548820000

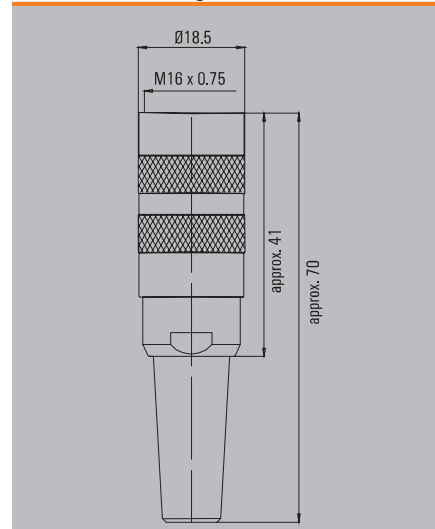
Type	Qty.	Order No.
SAIB-M16-2/9	1	1321690000
SAIB-M16-4/9	1	1117960000
SAIB-M16-5/9	1	1117980000
SAIB-M16-6/9	1	1304400000
SAIB-M16-7/9	1	1118000000
SAIB-M16-8/9	1	1304450000
SAIB-M16-12/9	1	1548830000
SAIB-M16-16/9	1	1548840000

Type of connection	Solder connection
Threaded ring material	Diecast zinc
Housing main material	PA
Connection thread	M16
Cable diameter	6...8 mm (PG9)
Connection cross-section	0,14...0,75mm ² (2-, 4-, 5-, 6-, 7- und 8-poles) / 0,14...0,25mm ² (12- und 16-poles)
Rated current	7 A (2-pole) / 6 A (4- and 5-pole) / 5 A (6-, 7- and 8-pole) / 3 A (12- and 16-pole)
Rated voltage	250 V (2-, 4-, 5- and 6-pole) / 125 V (7-pole) / 60 V (8- and 12-pole / 30 V (16-pole)
Temperature range of housing	-40 ... +85 °C
Protection degree	IP40
Contact surface	Ag (silver)
Approvals	CE

Dimensioned drawing



Dimensioned drawing

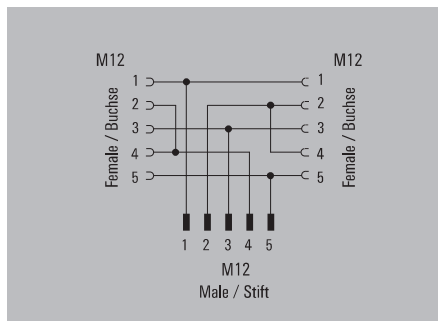


Y-distributor



M12/M12

Mounting screw M3, Distribution, pin 2 + 4 bridged

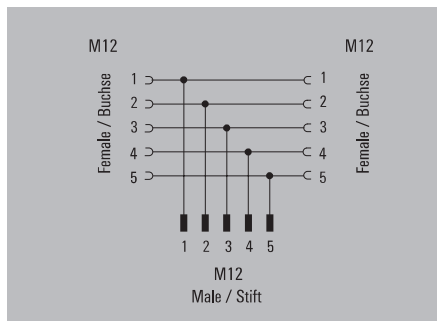


Ordering data

Type	Qty.	Order No.
SAI-Y-5S B2-4 2M12	1	1783410000
Other versions on request		

M12/M12

Mounting screw M3, Parallel distribution

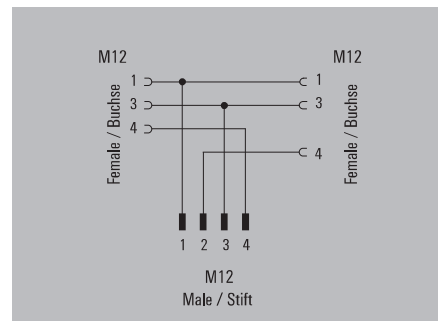


Ordering data

Type	Qty.	Order No.
SAI-Y-5S PARA 2M12	1	1783430000
Other versions on request		

M12/M12

Mounting screw M3

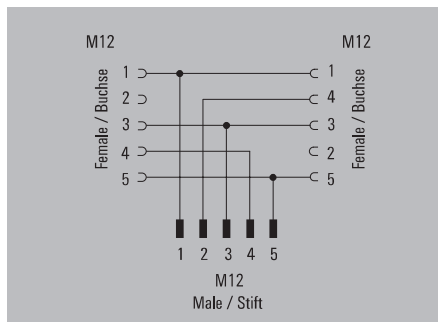


Ordering data

Type	Qty.	Order No.
SAI-Y-4S-M12/M12	1	1060730000
Other versions on request		

M12/M12

Mounting screw M3, Individual distribution



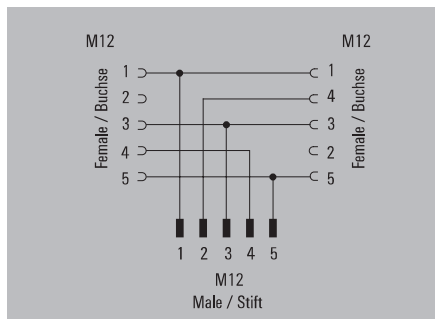
Ordering data

Type	Qty.	Order No.
SAI-Y-5S-M12/M12	1	1826880000
Other versions on request		

Y-distributor

M12/M12

Mounting screw M4

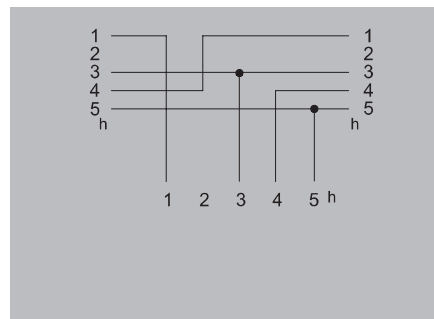


Ordering data

Type	Qty.	Order No.
SAI-Y-5 M12/M12 2B0	1	1881710000
Other versions on request		

M12/M12

And-Conjunction, Mounting screw M3

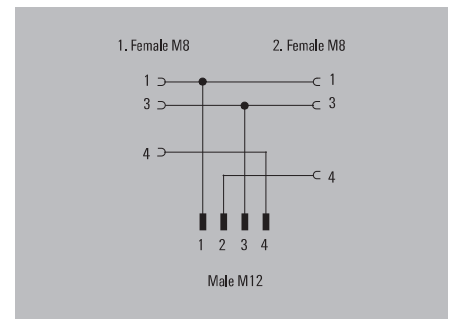


Ordering data

Type	Qty.	Order No.
SAI-Y-5 AND 2M12	1	1515140000
Other versions on request		

M12/M8

Mounting screw M3, Parallel distribution

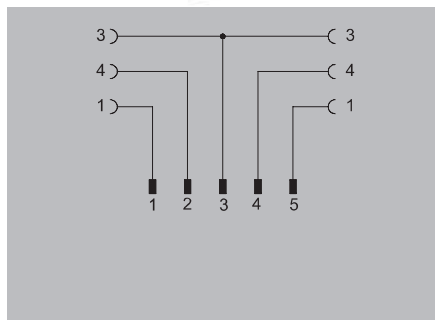


Ordering data

Type	Qty.	Order No.
SAI-Y-4-4/2-4 M12/8	1	1783420000
Other versions on request		

M12/M8

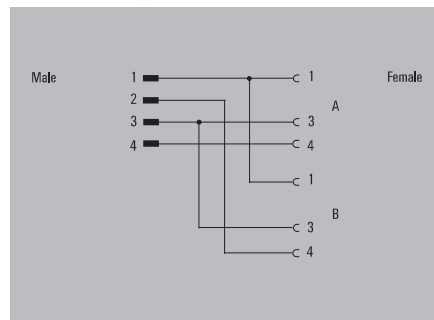
Mounting screw M3



Ordering data

Type	Qty.	Order No.
SAI-Y-5-S0 M12/8	1	1771290000
Other versions on request		

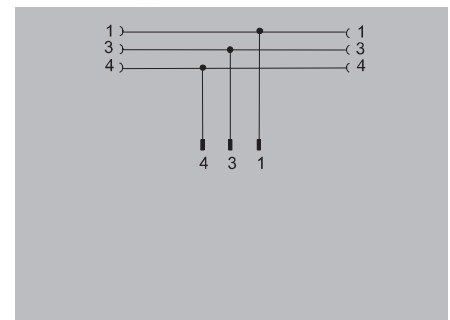
M8/M8



Ordering data

Type	Qty.	Order No.
SAI Y-4S M8-M8	1	1805660000
Other versions on request		

M8/M8



Ordering data

Type	Qty.	Order No.
SAI-Y-3/3 M8-M8	1	1524700000
Other versions on request		