

Circuit protection

Tertiary sector, Industry

STI isolatable fuse-carriers

PB110043-40



PB110044-40



PB110045-40



PB110046-40



PB110047-28



STI	Cartridges
IEC/EN 60947-3, IEC/EN 60269-2	IEC 60269-1, IEC 60269-2, NF C 60-200-2

- The STI isolatable fuse-carriers provide overload and short-circuit protection.
- They are used for tertiary and industrial applications requiring a high breaking capacity.

- They perform the isolation function and must not be used as switches.
- To be equipped with aM or gG (gL - gl) type fuse cartridge without striker, with or without fuse blowing indicator.

The general purpose fuse (**gG fuse**) provides overload and short-circuit protection. The fuse for motor application (**aM fuse**) only provides short-circuit protection. It is used for protection of loads with a high peak current (motors, transformer primaries, etc.).

Catalogue numbers

Fuse cartridge (Type F)

Type	Rating	Voltage rating (Ue)	Short-circuit current (Isc)		Cartridge type	
			aM	gG	aM	gG
8.5 x 31.5 mm	2 A	400 V AC	20 kA	20 kA	DF2BA0200	DF2BN0200
	4 A	400 V AC	20 kA	20 kA	DF2BA0400	DF2BN0400
	6 A	400 V AC	20 kA	20 kA	DF2BA0600	DF2BN0600
	8 A	400 V AC	20 kA	20 kA	DF2BA0800	DF2BN0800
	10 A	400 V AC	20 kA	20 kA	DF2BA1000	DF2BN1000
10.3 x 38 mm	2 A	500 V AC	120 kA	120 kA	DF2CA02	DF2CN02
	4 A	500 V AC	120 kA	120 kA	DF2CA04	DF2CN04
	6 A	500 V AC	120 kA	120 kA	DF2CA06	DF2CN06
	10 A	500 V AC	120 kA	120 kA	DF2CA10	DF2CN10
	16 A	500 V AC	120 kA	120 kA	DF2CA16	DF2CN16
	20 A	500 V AC	-	120 kA	-	DF2CN20
	25 A	500 V AC	-	120 kA	-	DF2CN25

STI fuse holder

Type	Network type				
	1P	1P+N	2P	3P	3P+N
PB110043-40					
	8.5 x 31.5 mm	A9N15635	A9N15645	A9N15650	A9N15655
10.3 x 38 mm	A9N15636	A9N15646	A9N15651	A9N15656	A9N15658
Width in 9 mm module	2	2	4	6	6

Circuit protection Tertiary sector, Industry

STI isolatable fuse-carriers (cont.)

230 V neon indicator light (Option)

- Indicates fuse blowing (off in normal operation and lit red after fuse blowing)
- 400 V maxi

Padlocking device

- Locks the toggle in the "open" or "closed" position. Used with an 8 mm max. diameter padlock (not supplied):
- only one padlock for 1P, 1P+N and 2P products (on the left pole)
- and two padlocks on the 3P and 3P+N products (on every extremity)

1P+N, 3P+N

- Phase opening causes compulsory opening of the neutral
- The phase opens before the neutral on isolation and closes after the neutral on circuit closing
- Small dimensions:
 - 1P+N in 18 mm
 - 3P+N in 54 mm

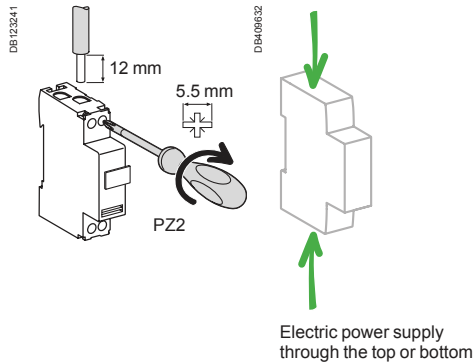
Fuse-carrier

- Captive
- Additional housing is provided for a spare fuse

Clip-on markers

- Used to identify:
 - either on the front face
 - or on the downstream terminals

Connection

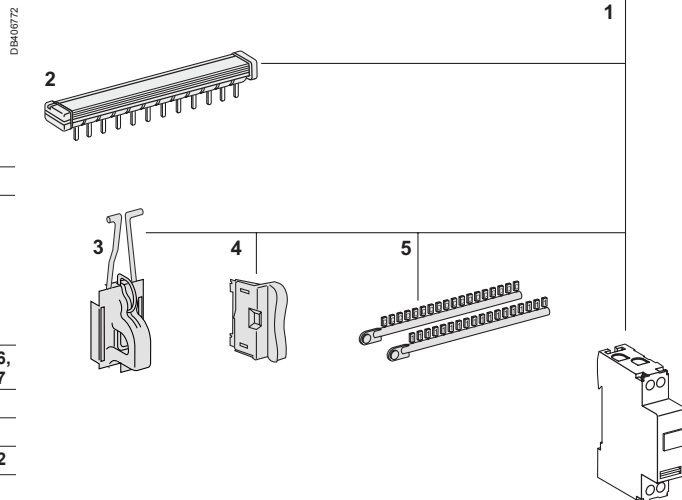


Tightening torque	Without accessory			With accessories
	Copper cables			Screw-on connection for ring terminal
	Rigid	Flexible with ferrule		
		with ferrule	without ferrule	
2 N.m	DB122845 	DB123554 	DB123553 	DB116789
	0.75 to 10 mm ² 2 x 0.75 mm ² to 2 x 4 mm ²	0.5 to 6 mm ² 2 x 0.5 mm ² to 2 x 4 mm ²	1 to 6 mm ² 2 x 1 mm ² to 2 x 4 mm ²	Ø 5 mm

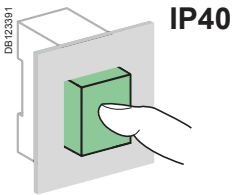
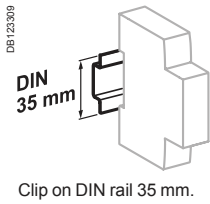
1 Screw-on connection for ring terminal 27053

Mounting accessories

2	Comb busbar	See modules	CA907026, CA907027
3	Padlocking device		15669
4	Neon indicator light	1 piece blister	15668
5	Clip-on terminal markers	See module	CA907012



STI isolatable fuse-carriers (cont.)



Technical data

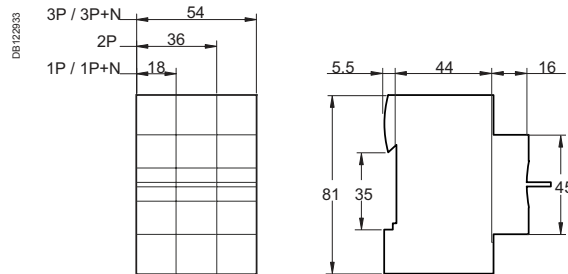
Main characteristics	
Insulation voltage (Ui)	500 V
Breaking capacity according to IEC 60947-2 ≤ 400 V	8 kA
Pollution degree	3
Operating frequency	50/60 Hz

Additional characteristics	
Degree of protection Device in modular enclosure	IP40 Insulation class II
Operating temperature	-20°C to +60°C
Storage temperature	-40°C to +80°C

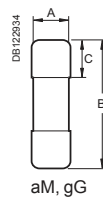
Maximum dissipated power per pole of STI isolatable fuse-carriers			
Fuse cartridge type		I _{th}	P _{max}
8.5 x 31.5 mm	aM	10 A	2.5 W
	gG	20 A	2.5 W
10.3 x 38 mm	aM	16 A	3 W
	gG	25 A	3 W

Maximum dissipated power per fuse cartridges			
Fuse cartridge type		I _{th}	P _{max}
8.5 x 31.5 mm	aM	2 to 10 A	0.9 W
	gG	2 to 10 A	2.5 W
10.3 x 38 mm	aM	2 to 25 A	1.2 W
	gG	2 to 25 A	3 W

Dimensions (mm)



STI



aM, gG fuse cartridge			
Type	A	B	C
8.5 x 31.5 mm	8.5	31.5	10.3
10.3 x 38 mm	10.3	38	10.5