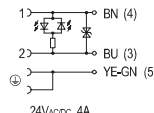
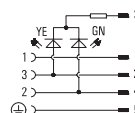
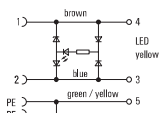
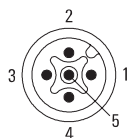
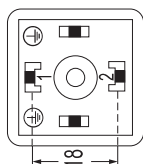


Design A / M12

Contact distance 18mm



Ordering data

M12 Male straight - valve plug	
PUR halogen-free	1.5 m
M12 Male angled - valve plug	
PUR halogen-free	1.5 m
Valve plug - open cable end	
PUR halogen-free	1.5 m
Note	

Zener diode	24 V
SAIL-VSA-M12G-1.5U	9457040000
SAIL-VSA-M12W-1.5U	1857690150
SAIL-VSA-1.5U	9457710150
Other lengths on request	

Pressure switch	24 V
SAIL-VSA-DS-M12G-1.5U	1316550150
SAIL-VSA-DS-1.5U	1896990150
Other lengths on request	

Suppressor diode	24 V
SAIL-VSA-1.5U(0,5)	1845120150
Other lengths on request	

Standard cable lengths

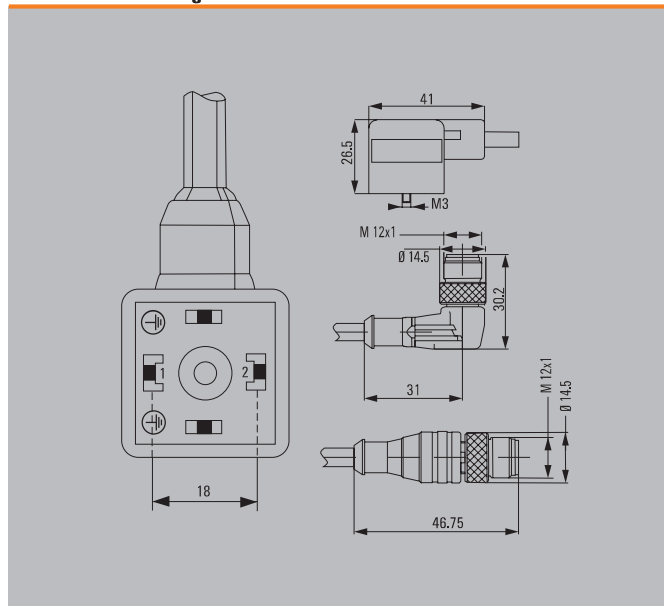
All cables listed in the ordering data have a length of 1.5 metres. The last four ordering digits must be changed when ordering other standard cable lengths.	1.5 m	xxxxxx0150
	3.0 m	xxxxxx0300
	5.0 m	xxxxxx0500
	10.0 m	xxxxxx1000

Technical data

Core cross-section	0.5 mm ²
Rated voltage	
Rated current	4 A
Temperature range of housing	-25...+80 °C
Contact surface	tinned
Protection degree	IP67, when screwed in
AF size	
Tightening torque	Mounting screw M3: 0.4 Nm, M12: 0.8 - 1.2 Nm
Approvals	CE

Further technical data of the cables on catalog.weidmuller.com and in Chapter W (Technical Annex)

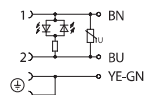
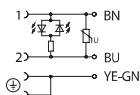
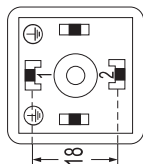
Dimensioned drawing



Valve cables

Design type A

Contact distance 18mm



B

Ordering data

Open cable end - valve plug	
PUR halogen-free	1.5 m
PUR halogen-free	3.0 m
Note	

Varistor	24 V
SAIL-VSAV-3.0U	1525690300
Other lengths on request	

Varistor	230 V
SAIL-VSAV-230V-1.5U	1549100150
Other lengths on request	

Standard cable lengths

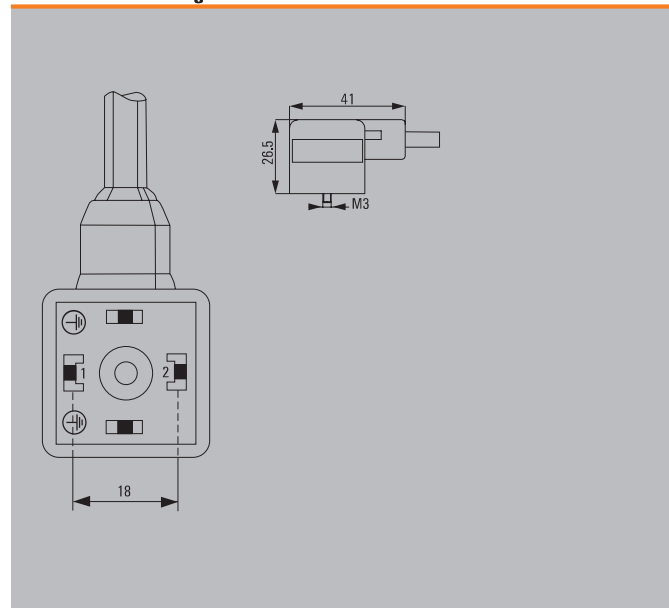
All cables listed in the ordering data have a length of 1.5 metres. The last four ordering digits must be changed when ordering other standard cable lengths.	1.5 m	xxxxxx0150
	3.0 m	xxxxxx0300
	5.0 m	xxxxxx0500
	10.0 m	xxxxxx1000

Technical data

Core cross-section	0.5 mm ²
Rated voltage	
Rated current	4 A
Temperature range of housing	-25...+80 °C
Contact surface	tinned
Protection degree	IP67, when screwed in
AF size	
Tightening torque	Mounting screw M3: 0.4 Nm
Approvals	CE

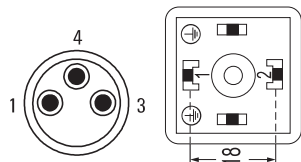
Further technical data of the cables on catalog.weidmuller.com and in Chapter W (Technical Annex)

Dimensioned drawing



Design A to M8

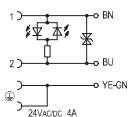
Contact spacing 18 mm



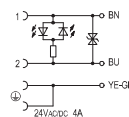
Male

Ordering data

M8 Male straight - valve plug	
PUR halogen-free	1.5 m
M8 Male angled - valve plug	
PUR halogen-free	1.5 m
Note	



Suppressor diode	24 V
SAIL-VSA-M8G-3-1.5U	1099760150
Other lengths on request	



Suppressor diode	24 V
SAIL-VSA-M8W-3-1.5U	1026190150
Other lengths on request	

Standard cable lengths

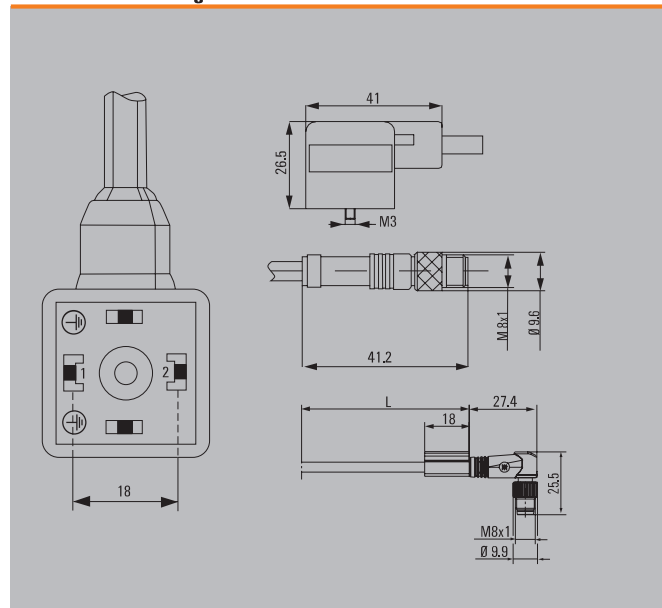
All cables listed in the ordering data have a length of 1.5 metres. The last four ordering digits must be changed when ordering other standard cable lengths.	1.5 m	xxxxxx0150
	3.0 m	xxxxxx0300
	5.0 m	xxxxxx0500
	10.0 m	xxxxxx1000

Technical data

Core cross-section	0.5 mm ²
Rated voltage	
Rated current	4 A
Temperature range of housing	-25...+80 °C
Contact surface	tinned
Protection degree	IP67, when screwed in
AF size	
Tightening torque	M8: 0.5 - 0.6 Nm, Mounting screw M3: 0.4 Nm
Approvals	CE

Further technical data of the cables on catalog.weidmuller.com and in Chapter W (Technical Annex)

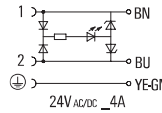
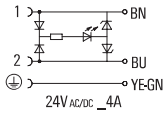
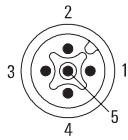
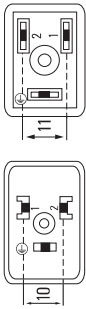
Dimensioned drawing



Valve cables

Design B/BD to M12

Contact spacing B = 11 mm; BD = 10mm
PE opposite cable outlet



Ordering data

Open cable end - valve plug	
PUR halogen-free	1.5 m
Male straight - valve plug	
PUR halogen-free	1.5 m
Male angled - valve plug	
PUR halogen-free	1.5 m
Note	

Zener diode (B)	24 V
SAIL-VSB-1.5U	9457930150
SAIL-VSB-M12G-1.5U	9457680150
SAIL-VSB-M12W-1.5U	1857700150
Other lengths on request	

Zener diode (BD)	24 V
SAIL-VSBD-1.5U	9456070150
SAIL-VSBD-M12G-1.5U	9457780150
SAIL-VSBD-M12W-1.5U	1857710150
Other lengths on request	

Standard cable lengths

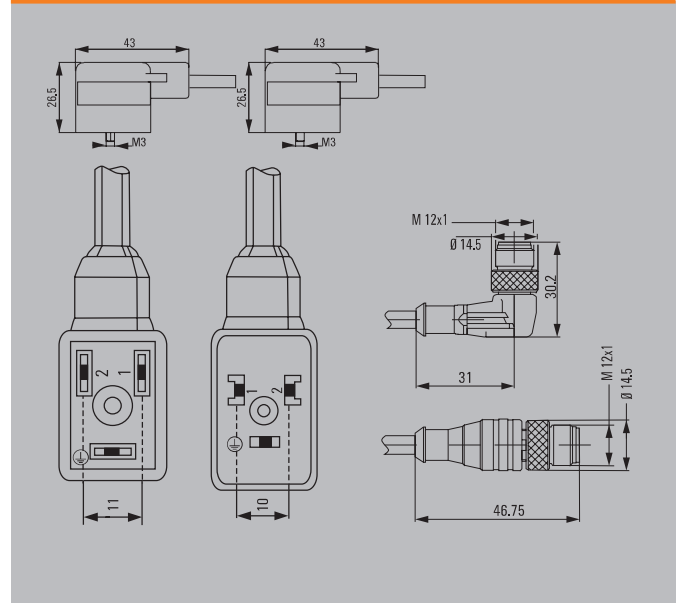
All cables listed in the ordering data have a length of 1.5 metres. The last four ordering digits must be changed when ordering other standard cable lengths.	1.5 m	xxxxxx0150
	3.0 m	xxxxxx0300
	5.0 m	xxxxxx0500
	10.0 m	xxxxxx1000

Technical data

Core cross-section	0.5 mm ²
Rated voltage	
Rated current	4 A
Temperature range of housing	-25...+80 °C
Contact surface	tinned
Protection degree	IP67, when screwed in
AF size	
Tightening torque	Mounting screw M3: 0.4 Nm, M12: 0.8 - 1.2 Nm
Approvals	CE

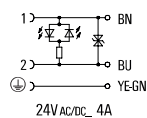
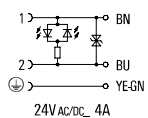
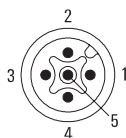
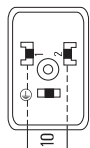
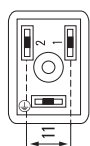
Further technical data of the cables on catalog.weidmuller.com and in Chapter W (Technical Annex)

Dimensioned drawing



Design B/BD

Contact spacing B = 11 mm; BD = 10mm
PE at cable outlet



Ordering data

Open cable end - valve plug	
PUR halogen-free	1.5 m
Note	

	24 V
SAIL-VSB-180-1.5U(0.5)	1845140150
Other lengths on request	

	24 V
SAIL-VSBD-180-1.5U(0.5)	1845160150
Other lengths on request	

Standard cable lengths

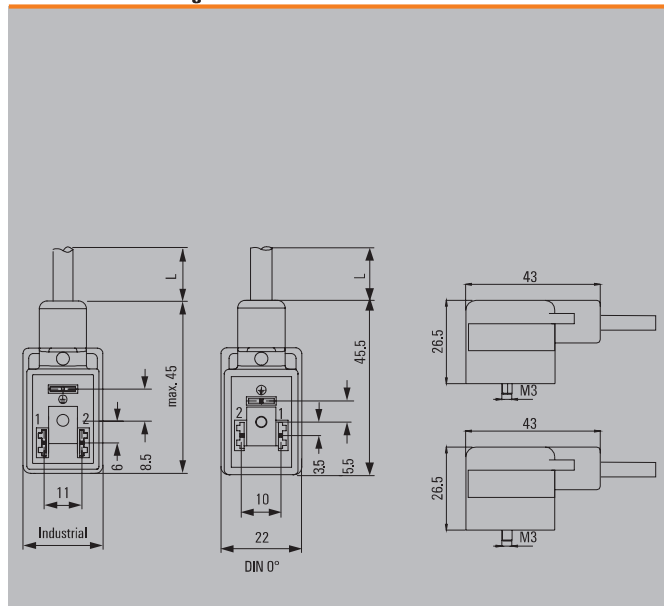
All cables listed in the ordering data have a length of 1.5 metres. The last four ordering digits must be changed when ordering other standard cable lengths.	1.5 m	xxxxxx0150
	3.0 m	xxxxxx0300
	5.0 m	xxxxxx0500
	10.0 m	xxxxxx1000

Technical data

Core cross-section	0.5 mm ²
Rated voltage	
Rated current	4 A
Temperature range of housing	-25...+80 °C
Contact surface	tinned
Protection degree	IP67, when screwed in
AF size	
Tightening torque	Mounting screw M3: 0.4 Nm
Approvals	CE

Further technical data of the cables on catalog.weidmueller.com and in Chapter W (Technical Annex)

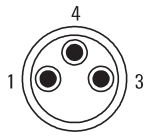
Dimensioned drawing



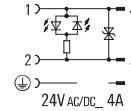
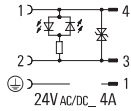
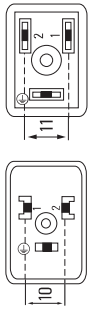
Valve cables

Design B/BD to M8

Contact spacing B = 11 mm; BD = 10mm
PE opposite the cable entry



Male



Ordering data

M8 Male straight - valve plug	
PUR halogen-free	0.15 m
PUR halogen-free	1.5 m
M8 Male straight - valve plug 180°	
PUR halogen-free	1.5 m
M8 Male angled - valve plug	
PUR halogen-free	1.5 m
Note	

Suppressor diode (B)	24 V
SAIL-VSB-M8G-3-1.5U	1271590150
SAIL-VSB-M8W-3-1.5U	1026180150
Other lengths on request	

Suppressor diode (BD)	24 V
SAIL-VSBD-M8G-3-1.5U	1099770150
SAIL-VSBD180-M8G-3-1.5U	1276450150
Other lengths on request	

Standard cable lengths

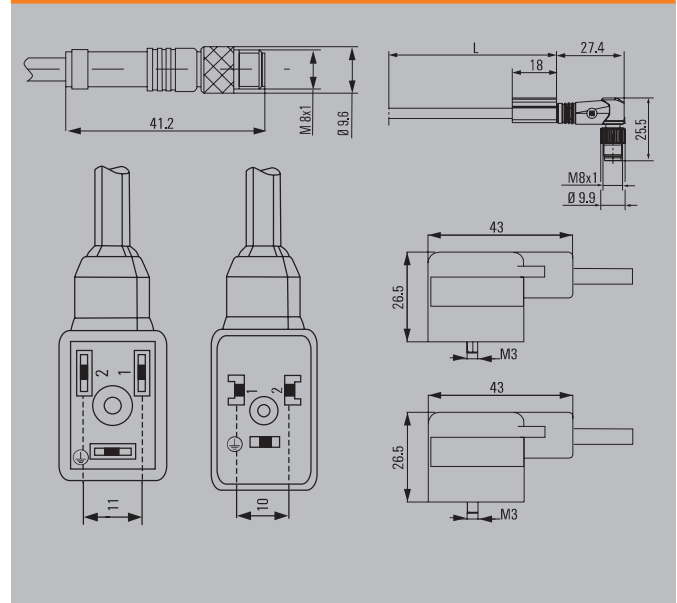
All cables listed in the ordering data have a length of 1.5 metres. The last four ordering digits must be changed when ordering other standard cable lengths.	1.5 m	xxxxxx0150
	3.0 m	xxxxxx0300
	5.0 m	xxxxxx0500
	10.0 m	xxxxxx1000

Technical data

Core cross-section	0.5 mm ²
Rated voltage	
Rated current	4 A
Temperature range of housing	-25...+80 °C
Contact surface	tinned
Protection degree	IP67, when screwed in
AF size	
Tightening torque	Mounting screw M3: 0.4 Nm, M8: 0.5 - 0.6 Nm
Approvals	CE

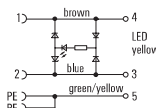
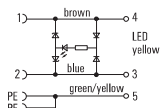
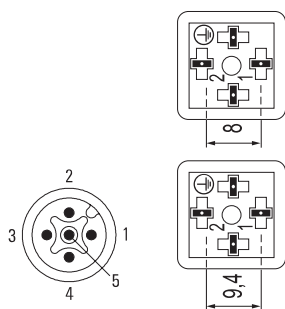
Further technical data of the cables on catalog.weidmuller.com and in Chapter W (Technical Annex)

Dimensioned drawing



Design C/CD to M12

Contact spacing C = 9.4 mm; CD = 8 mm



Ordering data

Open cable end - valve plug	
PUR halogen-free	1.5 m
Male straight - valve plug	
PUR halogen-free	1.5 m
Male angled - valve plug	
PUR halogen-free	1.5 m
Note	

Zener diode (C)	24 V
SAIL-VSC-1.5U	9457920150
SAIL-VSC-M12G-1.5U	9457400150
SAIL-VSC-M12W-1.5U	1857720150
Other lengths on request	

Zener diode (CD)	24 V
SAIL-VSCD-1.5U	9456240150
SAIL-VSCD-M12G-1.5U	9456170150
SAIL-VSCD-M12W-1.5U	1857730150
Other lengths on request	

Standard cable lengths

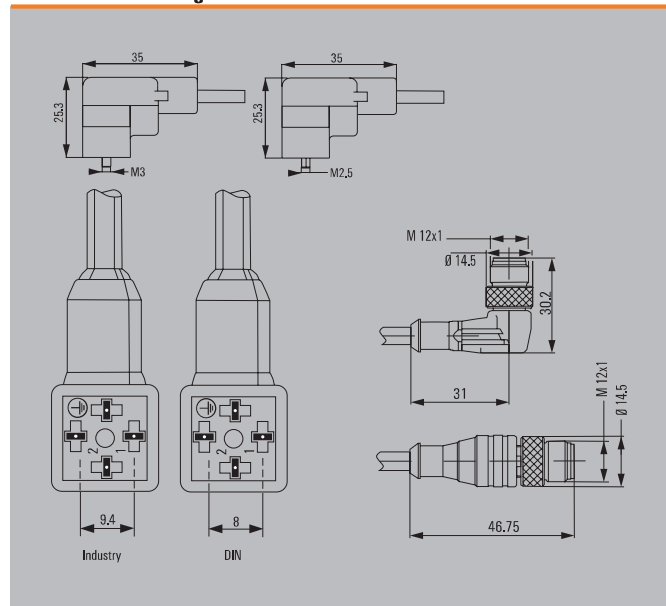
All cables listed in the ordering data have a length of 1.5 metres. The last four ordering digits must be changed when ordering other standard cable lengths.	1.5 m	xxxxxx0150
	3.0 m	xxxxxx0300
	5.0 m	xxxxxx0500
	10.0 m	xxxxxx1000

Technical data

Core cross-section	0.5 mm ²
Rated voltage	
Rated current	4 A
Temperature range of housing	-25...+80 °C
Contact surface	tinned
Protection degree	IP67, when screwed in
AF size	
Tightening torque	Mounting screw M3: 0.4 Nm, M2.5 mounting screw: 0.3 Nm, M12: 0.8 - 1.2 Nm
Approvals	CE

Further technical data of the cables on catalog.weidmuller.com and in Chapter W (Technical Annex)

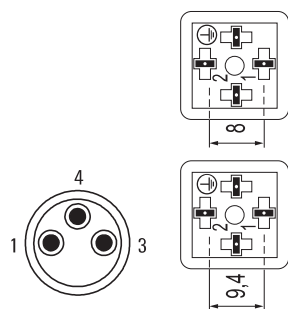
Dimensioned drawing



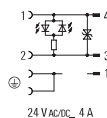
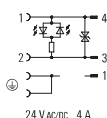
Valve cables

Design C/CD to M8

Contact spacing C = 9.4 mm; CD = 8 mm



Male



Ordering data

M8 Male straight - valve plug	
PUR halogen-free	0.15 m
PUR halogen-free	1.5 m
Note	

Suppressor diode (C)	24 V
SAIL-VSC-M8G-0.15U	1309680015
Other lengths on request	

	24 V
SAIL-VSCD-M8G-0.15U	1916700015
SAIL-VSCD-M8G-3-1.5U	1916700150
Other lengths on request	

Standard cable lengths

All cables listed in the ordering data have a length of 1.5 metres. The last four ordering digits must be changed when ordering other standard cable lengths.	1.5 m	xxxxxx0150
	3.0 m	xxxxxx0300
	5.0 m	xxxxxx0500
	10.0 m	xxxxxx1000

Technical data

Core cross-section	0.5 mm ²
Rated voltage	
Rated current	4 A
Temperature range of housing	-25...+80 °C
Contact surface	tinned
Protection degree	IP67, when screwed in
AF size	
Tightening torque	Mounting screw M3: 0.4 Nm, M2.5 mounting screw: 0.3 Nm, M8: 0.5 - 0.6 Nm
Approvals	CE

Further technical data of the cables on catalog.weidmuller.com and in Chapter W (Technical Annex)

Dimensioned drawing

