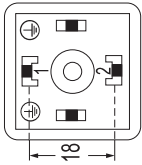


**Design type A**  
without protective circuit

Contact distance 18 mm



**Ordering data**

PG9 cable passage	
3-pole	
4-pole	
PG11 cable passage	
3-pole	
4-pole	

Note

**Technical data**

Type of connection	Screw connection
Housing main material	PA 6 GF
Coding	Design A (18 mm)
Cable diameter	6...8 mm (PG9) / 8...10 mm (PG11)
Connection cross-section min. / max.	0.34...1.5 mm <sup>2</sup>
Rated current	10 A
Rated voltage	250 V
Temperature range of housing	-25...+85 °C
Protection degree	IP65
Contact surface	Ni

Note

**SAIB-VSA**



Type	Qty.	Order No.
SAIB-VSA-3P/250/9-0B	1	1873070000
SAIB-VSA-4P/250/9-0B	1	1873080000
SAIB-VSA-3P/250/11-0B	1	1873090000
SAIB-VSA-4P/250/11-0B	1	1873100000

**SAIB-VSA**

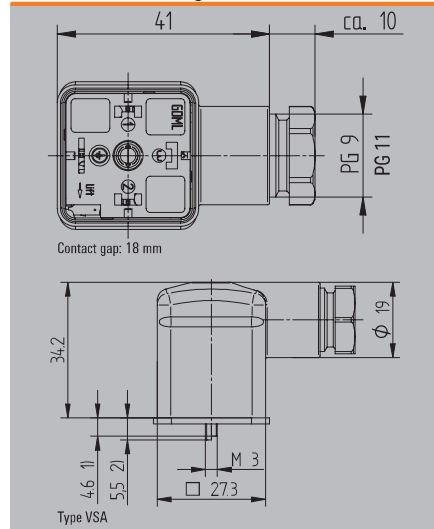


Type	Qty.	Order No.
SAIB-VSA-3P/230/9H/0B	1	1873130000
SAIB-VSA-4P/230/9H/0B	1	1873140000
SAIB-VSA-3P/230/11-H/0B	1	1873150000
SAIB-VSA-4P/230/11-H/0B	1	1873160000

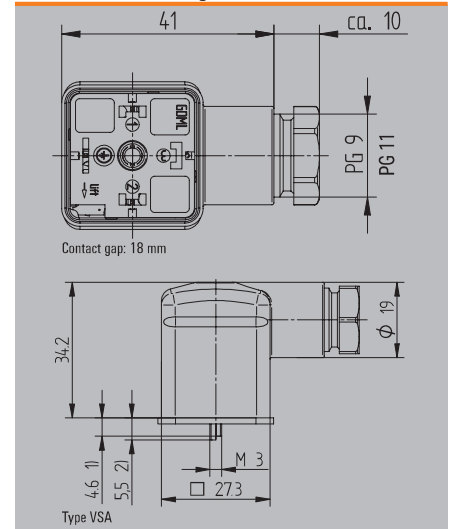
Type of connection	Screw connection
Housing main material	PA 6 GF
Coding	Design A (18 mm)
Cable diameter	6...8 mm (PG9) / 8...10 mm (PG11)
Connection cross-section min. / max.	0.34...1.5 mm <sup>2</sup>
Rated current	10 A
Rated voltage	230 V
Temperature range of housing	-25...+85 °C
Protection degree	IP65
Contact surface	Ni

Note

**Dimensioned drawing**



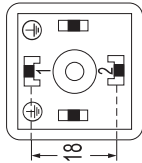
**Dimensioned drawing**



## Valve plugs for custom assembly

### Design type A with protective circuit

Contact distance 18 mm



### SAIB-VSA

with Free-wheel diode, 24 V



### SAIB-VSA

with Varistor, 230 V



### Ordering data

PG9 cable passage	
	3-pole
Note	

### Technical data

Type of connection	
Housing main material	
Coding	
Cable diameter	
Connection cross-section min. / max.	
Rated current	
Rated voltage	
Temperature range of housing	
Protection degree	
Contact surface	
Note	

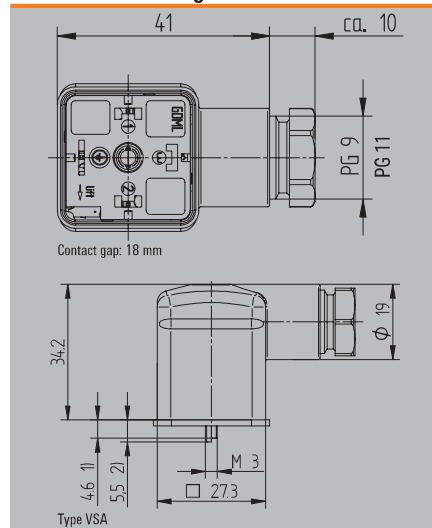
Type	Qty.	Order No.
SAIB-VSA-3P/24/9/LD	1	1873120000

Screw connection	
PA 6 GF	
Design A (18 mm)	
6...8 mm (PG9) / 8...10 mm (PG11)	
0.34...1.5 mm <sup>2</sup>	
10 A	
24 V DC	
-25...+85 °C	
IP65	
Ni	

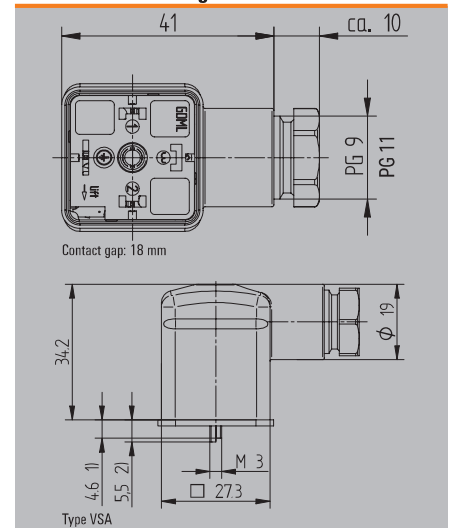
Type	Qty.	Order No.
SAIB-VSA-3P/230/9/LD	1	1873110000

Screw connection	
PA 6 GF	
Design A (18 mm)	
6...8 mm (PG9) / 8...10 mm (PG11)	
0.34...1.5 mm <sup>2</sup>	
10 A	
230 V	
-25...+85 °C	
IP65	
Ni	

### Dimensioned drawing



### Dimensioned drawing



**Design type B**

Contact distance 11 mm



**SAIB-VSB**

without protective circuit



**SAIB-VSB**

with Free-wheel diode, 24 V



**Ordering data**

<b>PG9 cable passage</b>	
	3-pole
<b>Note</b>	

Type	Qty.	Order No.
SAIB-VSB-3P/250/9-0B	1	1873170000

Type	Qty.	Order No.
SAIB-VSB-3P/24/9/LD	1	1873180000

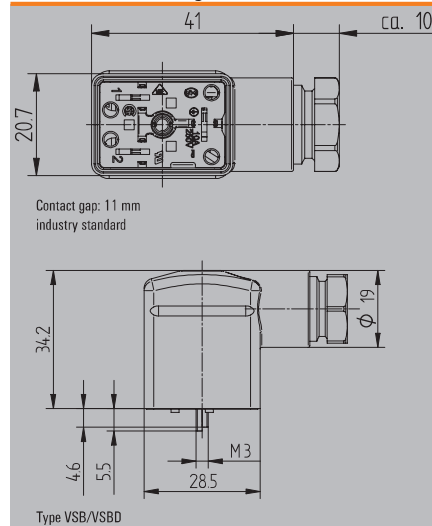
**Technical data**

Type of connection	
Housing main material	
Coding	
Cable diameter	
Connection cross-section min. / max.	
Rated current	
Rated voltage	
Temperature range of housing	
Protection degree	
Contact surface	
<b>Note</b>	

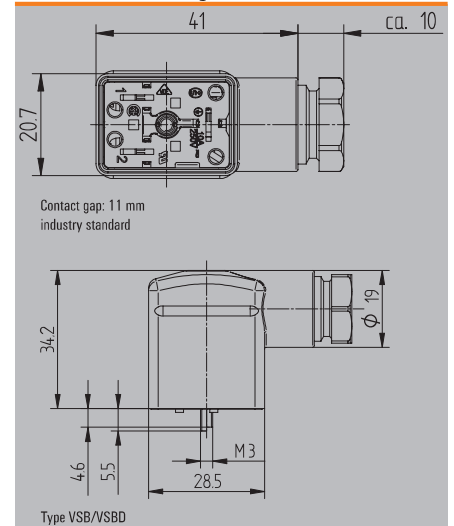
Screw connection	
PA 6 GF	
Industrial design B (11 mm)	
6...8 mm (PG9)	
0.34...1.5 mm <sup>2</sup>	
10 A	
250 V	
-25...+85 °C	
IP65	
Ni	

Screw connection	
PA 6 GF	
Industrial design B (11 mm)	
6...8 mm (PG9)	
0.34...1.5 mm <sup>2</sup>	
10 A	
24 V DC	
-25...+85 °C	
IP65	
Ni	

**Dimensioned drawing**

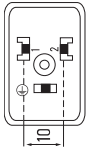


**Dimensioned drawing**



**Design type BD**  
without protective circuit

Contact distance 10 mm



**SAIB-VSBD**



**Ordering data**

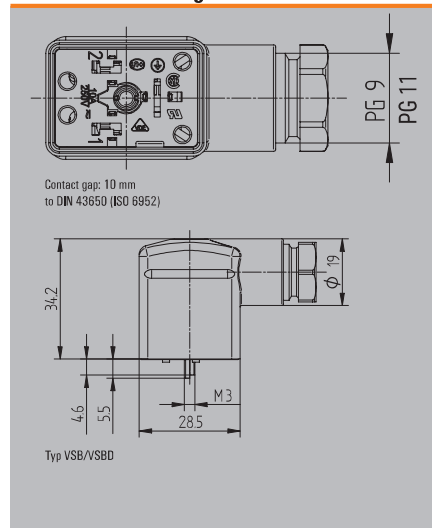
<b>PG9 cable passage</b>	
<b>Note</b>	3-pole

Type	Qty.	Order No.
SAIB-VSBD-3P/250/9-0B	1	1873190000

**Technical data**

Type of connection	Screw connection
Housing main material	PA 6 GF
Coding	DIN design B (10 mm)
Cable diameter	6...8 mm (PG9)
Connection cross-section min. / max.	0.34...1.5 mm <sup>2</sup>
Rated current	10 A
Rated voltage	250 V
Temperature range of housing	-25...+85 °C
Protection degree	IP65
Contact surface	Ni
<b>Note</b>	

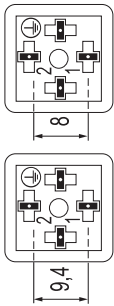
**Dimensioned drawing**



**Design type C/CD**

without protective circuit

Contact distance C = 9.4 mm, CD = 8 mm



**SAIB-VSC**



**SAIB-VSCD**



**Ordering data**

PG7 cable passage	
	3-pole
	4-pole
Note	

Type	Qty.	Order No.
SAIB-VSC-3P/250/7-0B	1	1873200000
SAIB-VSC-4P/250/7-0B	1	1873210000

Type	Qty.	Order No.
SAIB-VSCD-3P/250/7-0B	1	1873220000
SAIB-VSCD-4P/250/7-0B	1	1873230000

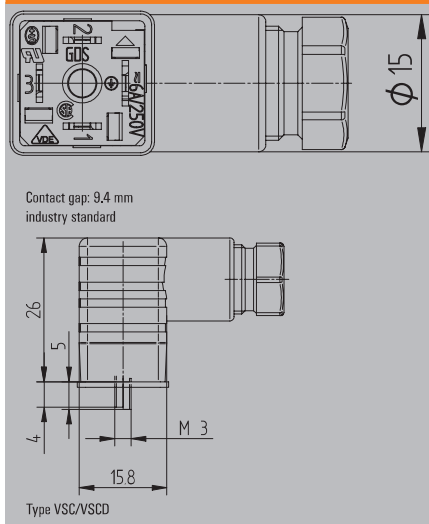
**Technical data**

Type of connection	Screw connection
Housing main material	PA 6 GF
Coding	Industrial design C (9.4 mm)
Cable diameter	4...6 mm
Connection cross-section min. / max.	0.34...1.5 mm <sup>2</sup>
Rated current	10 A
Rated voltage	250 V
Temperature range of housing	-25...+85 °C
Protection degree	IP65
Contact surface	Ni
Note	

Type of connection	Screw connection
Housing main material	PA 6 GF
Coding	Industrial design C (8 mm)
Cable diameter	4...6 mm
Connection cross-section min. / max.	0.34...1.5 mm <sup>2</sup>
Rated current	10 A
Rated voltage	250 V
Temperature range of housing	-25...+85 °C
Protection degree	IP65
Contact surface	Ni
Note	

Type of connection	Screw connection
Housing main material	PA 6 GF
Coding	DIN design C (8 mm)
Cable diameter	4...6 mm
Connection cross-section min. / max.	0.34...1.5 mm <sup>2</sup>
Rated current	10 A
Rated voltage	250 V
Temperature range of housing	-25...+85 °C
Protection degree	IP65
Contact surface	Ni
Note	

**Dimensioned drawing**



**Dimensioned drawing**

